



ADELAIDE PROPERTY
DEVELOPMENT

Standard Range

QUALITY SELECTIONS



Standard Range

Code EP6004SX – 60cm Fan Forced Oven



FEATURES

- 5 Multi-Functions
- Oven Light
- Fan Forced
- Fan Grill
- Full Grill
- Defrost
- Contained cavity cooling with tangential cooling fan
- Triple glazed removable door
- 120-minute auto-stop timer
- Telescopic runner
- Stainless steel/black contemporary design

TRIPLE GLAZED EASILY REMOVABLE DOOR

This oven is equipped with a triple glazed glass door, ensuring minimal heat will escape during the cooking process. Also, to ensure a hassle free clean. The oven door can be easily removed by simply unclipping the inner glass.

CAVITY COOLING SYSTEM

To ensure that control knobs are constantly cool and surrounding cupboards are protected, the EP6004SX oven has a contained cavity cooling system with internal cooling fan.



OVEN LIGHT

The oven light will automatically turn on once any function is selected, helps to monitor the progress of your cooking.



FAN GRILL

This function is perfect for fish, chicken fillets or meat Cutlets. The door can be left closed whilst grilling and browning will occur from the top element. The fan circulates the heat for all over cooking.



FAN FORCED COOKING

For the ultimate roast or perfect batch of pastries. The element surrounding the fan delivers even heat for even cooking results, approx. 160C to 180 C is recommended.



DEFROST

In defrost mode, no heating elements are used. Only the fan is activated to circulate air inside the oven for defrosting and not cooking the food.

Code EV3WCTSFD – 60cm Gas + Wok Cooktop



FEATURES

- Stainless steel finish
- 1 gas burners with triple ring wok burner
- Side control knob operation
- 1 touch electric ignition
- One-piece hob for ideal cleaning
- Cast iron trivets
- Flame failure safety device
- Natural gas or LPG (jets included)

ONE TOUCH ELECTRONIC IGNITION

This gas cooktop uses a one touch electronic ignition system. Simply push down the knob and turn and the flame will ignite automatically.

FLAME FAILURE SAFETY DEVICE

The flame failure device is a safety mechanism which ensures the gas is automatically turned off in the case of a flame extinguishing.

IDEAL CLEANING

Cook top surface all in a 'one-piece hob setting' which makes cleaning the cooktop a simple, non-time consuming activity.

CAST IRON TRIVETS

Non-slip, cast iron trivets are standard with this cook top and removable for easy cleaning.

Code EP602SS – 60cm Slide Out Rangehood



FEATURES

- Stainless steel finish front fascia
- Integrated front panel
- 2 speed monitor
- 2 x 40W lights
- 440m³/hr extraction capacity
- Dishwasher safe cassette filters
- Non-Visible controls system
- New smooth riling system
- Automatic light function
- 120mm air flow outlet

TIPS FOR BETTER USE

- To remove all odours, steam etc. leave your range hood on for 15 minutes after the cooking of the food. - The dishwasher-safe cassette filters need to be cleaned after approximately 2 months of standard operation. - It is recommended that the Rangehood be installed between 650mm and 750mm

above the cooktop. - It is also recommended that fumes from the Rangehood be ducted out into the atmosphere. - To ensure safe and effective cleaning turn off the Rangehood before attempting to clean.

*Installation recommended by qualified installer.

2 SPEED MONITOR

This Rangehood provides the option of 2 different speed levels ensuring you have the option to use your Rangehood at a low or high level of operation.

HIGH EXTRACTION CAPACITY

The extraction capacity of 440m³/hr provides strength and power to this stylish Rangehood.

DISHWASHER SAFE CASSETTE FILTERS

This cassette filters can be placed in a dishwasher for easy cleaning and can easily be removed, re-connected from the range hood.

DECIBAL RATING

48-56 dBA

Code EDV604SS – 60cm Freestanding S/Steel Dishwasher



FEATURES

- 12 place setting
- Stainless steel finish
- Slim Panel Design
- 4 Wash Programs
 - Intensive
 - Eco
 - 90 Minute
 - Rapid
- Extra dry function
- Height adjustable top basket
- Concealed heating element
- Removable top cover
- 3 star energy rating
- 4.5 star water rating

SIMPLE ELECTRONIC PROGRAM CONTROLLER

This EDV604SS dishwasher operates via an electronic push button control. You can select your preferred program by using the electronic push buttons on the top right of the front panel.

4 WASH PROGRAMS

The EDV604SS dishwasher provides you with the choice of 4 different programs to ensure you can select the type of wash which best suits whether it be those few dirty dishes or after that large party dinner.

12 PLACE SETTINGS

With 12-place settings the EDV604SS provides results with greater flexibility allowing you the flexibility to select the correct setting for your dishwashing requirements.

2 LEVEL HEIGHT ADJUSTMENT TOP BASKET

The adjustable top basket can be set higher or lower in the washing baskets, ensuring wash space for those larger cooking utensils and dishes.

BAMBINO Inset Bath



FEATURES

- Inset bath with tile bead
- Made in Australia
- Made to A/NZ Standard: 2023/1995
- High gloss white
- Moulded arm rests and lumbar support
- Self-supporting feet for easy installation
- Slip resistant pattern
- End waste



ACCESSORIES

- EZI Frame
- Sienna Headrest
- Overflow

WARRANTY

- Fifteen year warranty – Conditions apply please see website for details.

INSET BATH

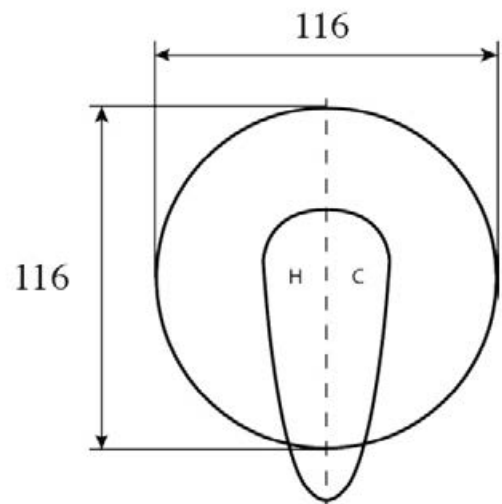
The Bambino provides excellent value for home renovations with its ultra-functional design. Moulded Arm rests sweep around from the shoulder position to provide comfort and a lumbar support cradles the back.

Fienza – ECO Wall Mixer



FEATURES

- Designed for shower / bath
- Suitable for mains pressure, max 500kPa
- Brass construction
- WELS rating not applicable
- 40mm cartridge



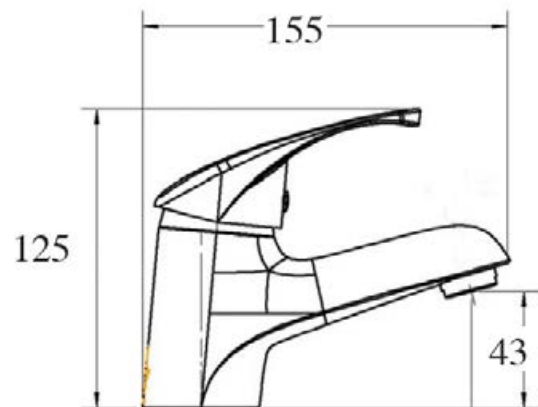
fienza®

Fienza – ECO Fixed Basin Mixer



FEATURES

- Suitable for mains pressure, max 500kPa
- Brass construction
- WELS 5 star rated
- 40mm cartridge



AUSTWORLD – Bath Spout (MAYFAIR) 180mm



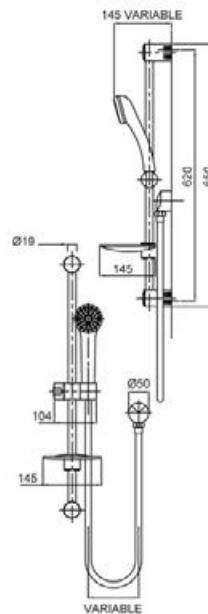
FLEXISPRAY

FLEXISPRAY – Bermunda 1 Function Rail Shower



FEATURES

- Single function handset
- Rub clean technology to prevent the build up of limescale and calcium
- Sturdy 650mm rail with easy to use slider
- Designer Euro wall elbow and soap dish
- Durable double wound metal hose

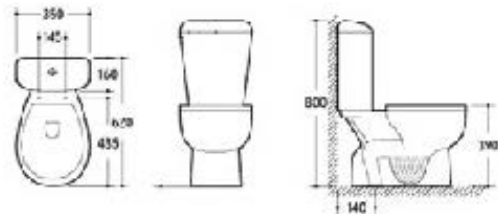


Code K-009S - Closed Coupled Toilet Suite



FEATURES

- 620x350x800mm
- S Trap: 140mm
- Bottom Inlet
- Soft Closing Seat
- 405/3L Dual Flush
- 4 Star WELS Rating



Code RA813CHR - Radii 600mm Double Towel Rail



FEATURES

- Round Flange
- Australian designed
- Will suit any contemporary bathroom
- Solid brass construction with quality chrome finish

FINISH

- Chrome Plated



Code RA892CHR - Radii Toilet Roll Holder

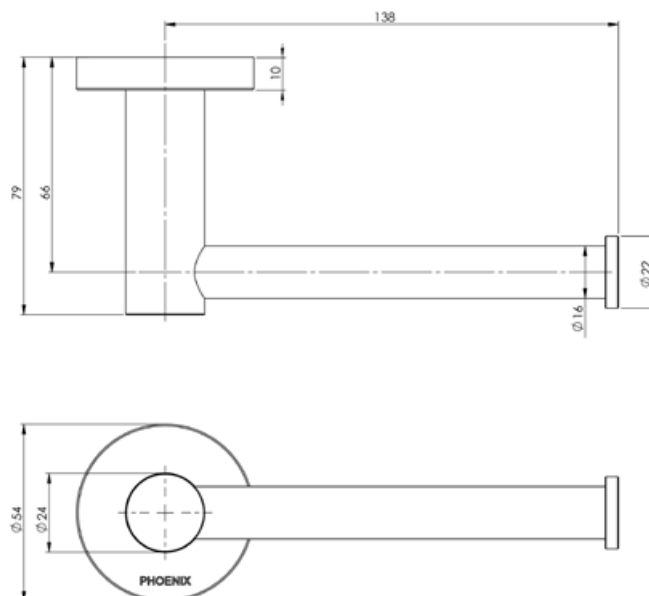


FEATURES

- Round Flange
- Australian designed
- Will suit any contemporary bathroom
- Solid brass construction with quality chrome finish
- Wide, flat surfaces beautifully designed to complement modern trends

FINISH

- Chrome Plated



Entrance Solutions

Knobset – Colton



	Polished Stainless	Stainless Steel (shown)
Entrance	1440PROCOLPS	1440PROCOLSS
Entrance – Keyed	1440PROCOLPSK	1440PROLSSK

Leverset – Tristian



	Bright Chrome	Satin Chrome (shown)
Entrance	1440PROTRIBC	1440PROTRISC
Entrance – Keyed	1440PROTRIBK	1440PROTRISCK

Combination set – Lennox Horizontal



	Bright Chrome	Satin Chrome (shown)
Double Cylinder	14901LENBC	14901LENSC
Double Cylinder - Keyed	14901LENBCK	14901LENSCK
Single Cylinder	14401LENBC	14401LENSC
Single Cylinder – Keyed	14401LENBCK	14401LENSCK

Added Security Solutions

Deadbolts

Dexton



	Bright Chrome	Satin Chrome (shown)
Double Cylinder	1450PRODEXBC	1450PRODEXSC
Double Cylinder - Keyed	1450PRODEXBCK	1450PRODEXSCK
Single Cylinder	1445PRODEXBC	1445PRODEXSC
Single Cylinder - Keyed	1445PRODEXBCK	1445PRODEXSCK

Darius



	Bright Chrome	Satin Chrome (shown)
Double Cylinder	1450PRODARBC	1450PRODARSC
Double Cylinder - Keyed	1450PRODARBCK	1450PRODARSCK
Single Cylinder	1445PRODARBC	1445PRODARSC
Single Cylinder - Keyed	1445PRODARBCK	1445PRODARSCK

Internal Solutions

Knobset – Colton



	Polished Stainless Steel	Stainless Steel (shown)
Passage	1400PROCOLPS	1400PROCOLSS
Privacy	1410PROCOLPS	1410PROCOLSS
Dummy	1405PROCOLPS	1405PROCOLSS

Leversets

Tristian



	Polished Stainless Steel	Stainless Steel (shown)
Passage	1400PROTRIBC	1400PROTRISC
Privacy	1410PROTRIBC	1410PROTRISC
Dummy	1405PROTRIBC	1405PROTRISC

Internal Solutions

Lennox



	Polished Stainless Steel	Stainless Steel (shown)
Passage	1400PROLENBC	1400PROLENSC
Privacy	1410PROLENBC	1410PROLENSC
Dummy	1405PROLENBC	1405PROLENSC

Braxton



	Polished Stainless Steel	Stainless Steel (shown)
Passage	1400PROBRABC	1400PROBRASC
Privacy	1410PROBRABC	1410PROBRASC
Dummy	1405PROBRABC	1405PROBRASC

Laurent



	Polished Stainless Steel	Stainless Steel (shown)
Passage	1400PROLAUBC	1400PROLAUSC
Privacy	1400PROLAUBC	1400PROLAUSC
Dummy (Right handed)	1405PROLAUBRC	1405PROLAURSC
Dummy (Left handed)	1405PROLAUBRC	1405PROLAUBRC

Tanner



	Polished Stainless Steel	Stainless Steel (shown)
Passage	1400PROTANBC	1400PROTANSC
Privacy	1400PROTANBC	1400PROTANSC
Dummy	1400PROTANBC	1400PROTANSC



**HUME DOORS
& TIMBER**
100% Australian Owned

Vaucluse Range Doors



XV1



XV10



XV14



XV18



XV20



XV4



XV5



XV6



XV9

Code B26N60 – RINNAI Builders 26L/Min. Externa MH (60DEG)



FEATURES

- Low running costs
- Low greenhouse gas emissions
- Hot water energy rating: 6.1 star
- Compatible with MC91Q2A remote controller
- Compatible with SBOX & RBOX04L recess boxes

FINISH

- Grey

DIMENSIONS

- W350 X D194 X H530mm

Code DINASAS175RK – Dinas 1160mm RH 1 & 3/4 Bowl Flushline Sink



FEATURES

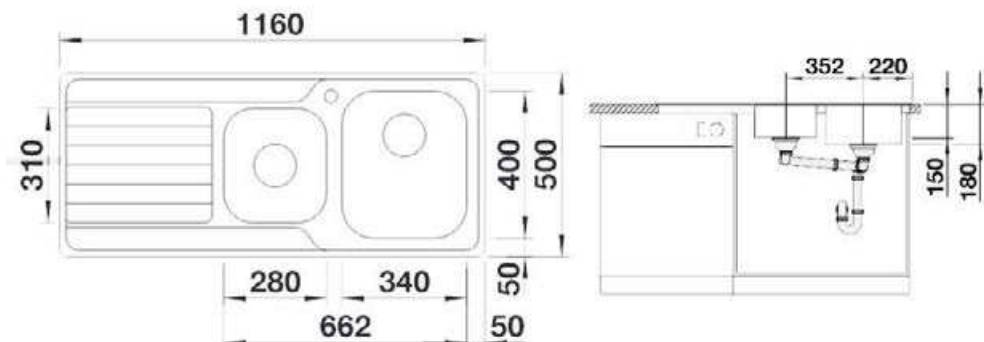
- One Taphole
- Rear waste position
- Main bowl 24L capacity, secondary bowl 18L capacity
- SILGRANT PuraDur consists of 80% granite, which makes it unbeatably resilient, extremely durable, scratch resistant, heat resistant, unbreakable and acid resistant.

FINISH

- Stainless Steel

DIMENSIONS

- W1160 x D500 x H180mm



Code 71189 – Project 45SS 45 Litre Standard Laundry Tub & Cabinet



FEATURES

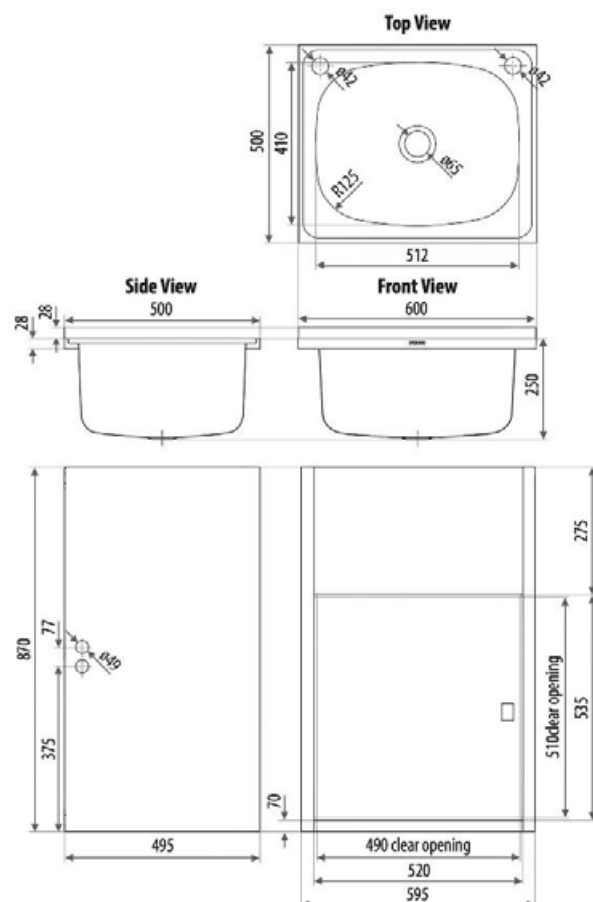
- Features 50mm waste
- White galvanised steel cabinet with floor
- Single by-pass assembly with stainless steel waste
- Allows for left or right hand door opening applications.

FINISH

- White

DIMENSIONS

- W600 x D500 x H870mm



fienza®

Fienza – ECO Sink Mixer



FEATURES

- Designed for kitchen and laundry.
- Oval design
- Chrome finish
- Brass construction
- Suitable for mains pressure
- Maximum pressure 500kPa40mm cartridge
- WELS 5 star rating
- 6 litres per minute

Tiling

Skirt Tiling – Selection from National Tiles range category 1 & 2

Carpet/Laminate

Selection from Choices Flooring Range - Category 1

Benchtops

Laminex builders range for all benchtops and vanities.

Silk range for cabinetry..




ADELAIDE PROPERTY
DEVELOPMENT

Adelaide Property Development (APD) offers you the opportunity to put your best foot forward when it comes to developing or building in Adelaide.

We make the development process as hassle free as possible, whilst delivering unique, high quality builds at a fixed price.

With our extensive knowledge in property development and fixed price builds there are no surprises and no hidden costs.

Please give us a call today for an obligation free consultation.

 (08) 8465 1968

adldevelopment.com.au